

# Introduction to Digital Systems

## Part II (4 lectures)

2022/2023

### Combinational Logic Blocks

Arnaldo Oliveira, Augusto Silva, Iouliia Skliarova

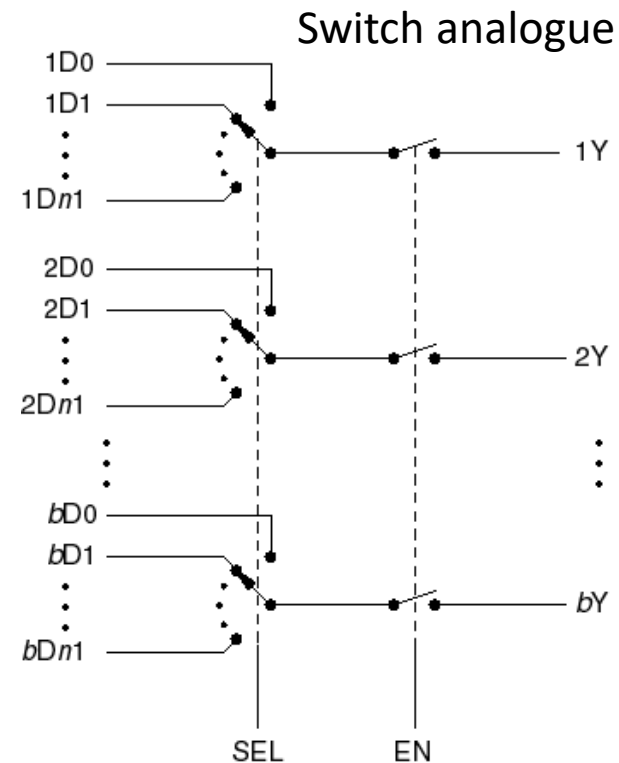
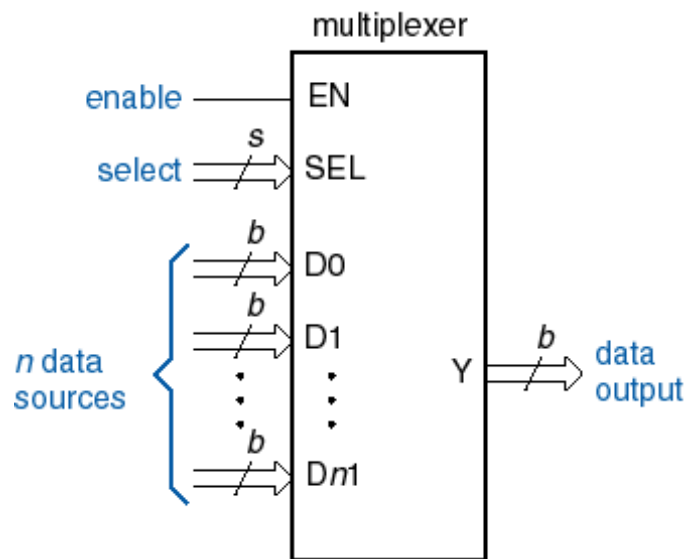


# Lecture 6 contents

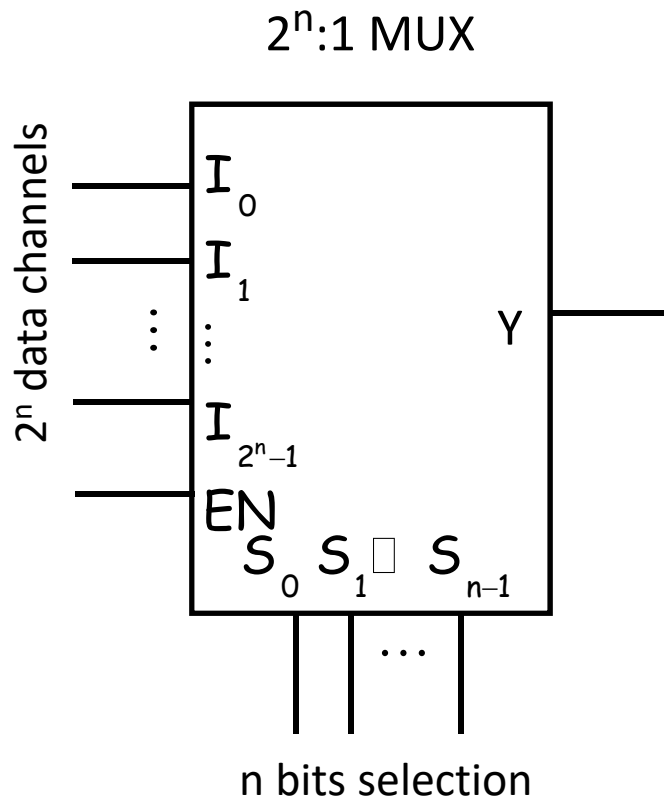
- Block oriented combinational logic design
- Multiplexers
- Demultiplexers

# Multiplexers

- A multiplexer is a digital switch: one out of  $n$  data sources is passed to a single output
  - Information selector



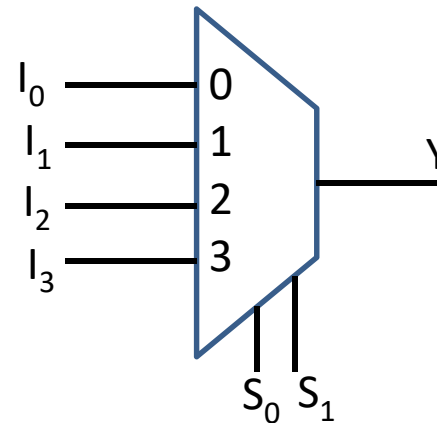
# 2<sup>n</sup>:1 Mux models



4:1 Mux Truth Table

EN	$S_1$	$S_0$	Y
0	x	x	0
1	0	0	$I_0$
1	0	1	$I_1$
1	1	0	$I_2$
1	1	1	$I_3$

Alternate Symbol



# Functional description

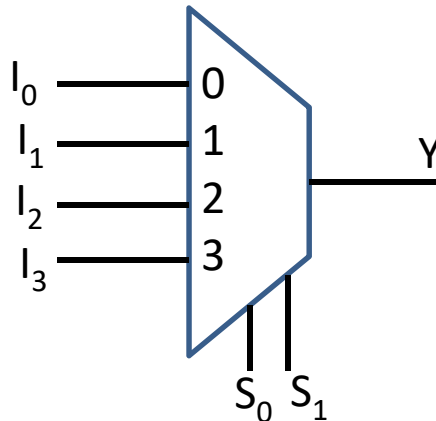
4:1 Mux Truth Table

EN	$S_1$	$S_0$	Y
0	x	x	0
1	0	0	$I_0$
1	0	1	$I_1$
1	1	0	$I_2$
1	1	1	$I_3$

$$Y = EN \cdot \left[ \sum_{k=0}^{2^n-1} m(S)_k I_k \right]$$

$m(S)_k$  is the  $k^{\text{th}}$  minterm on the selection variables  $S_0 \dots S_{n-1}$

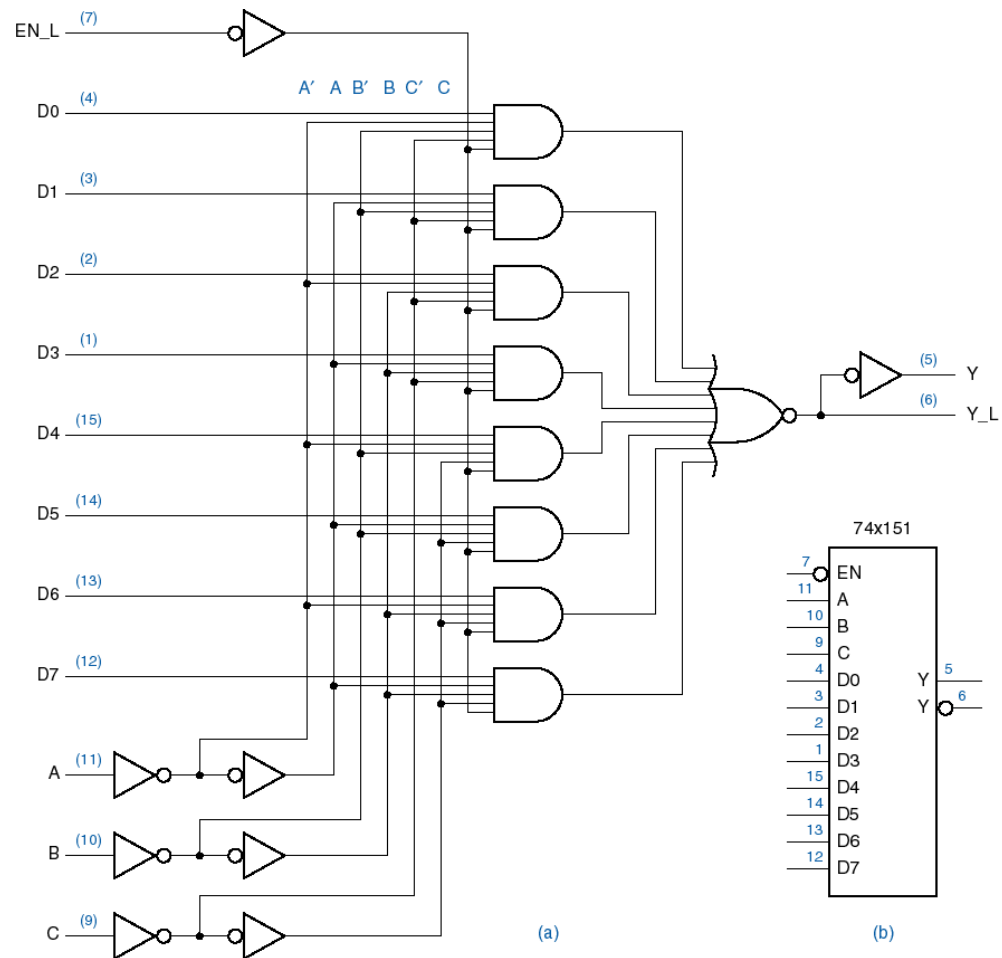
Alternate Symbol



Exercise: Draw the 4:1 Mux internal logic circuit

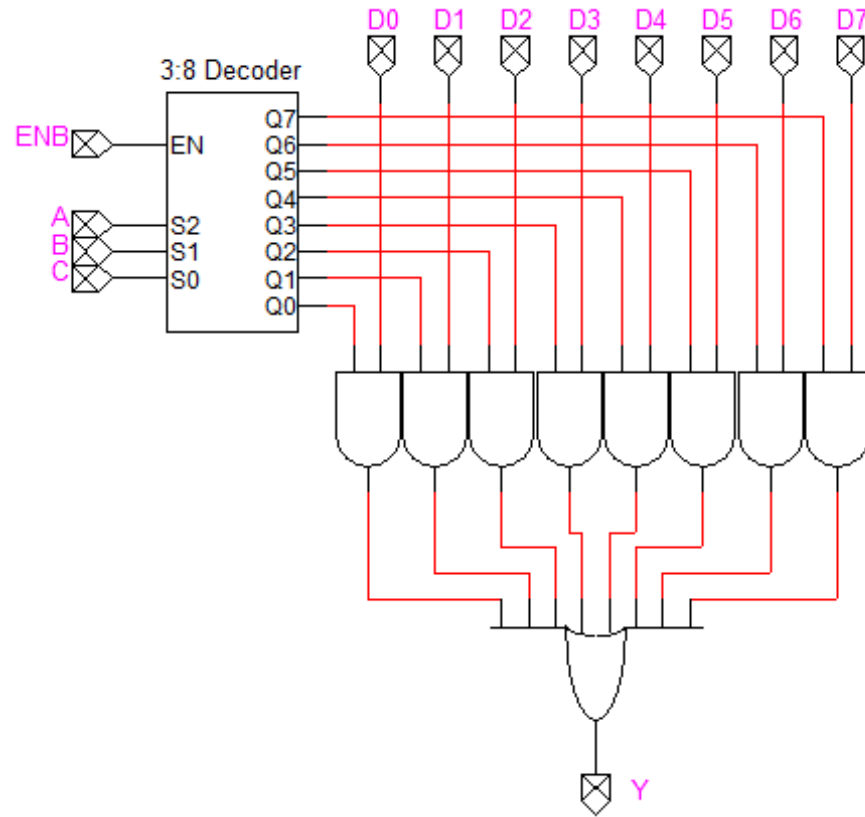
# The 74151 model

- 8:1 mux
- Obtain the truth table
- Write the output equations



# Mux and decoders

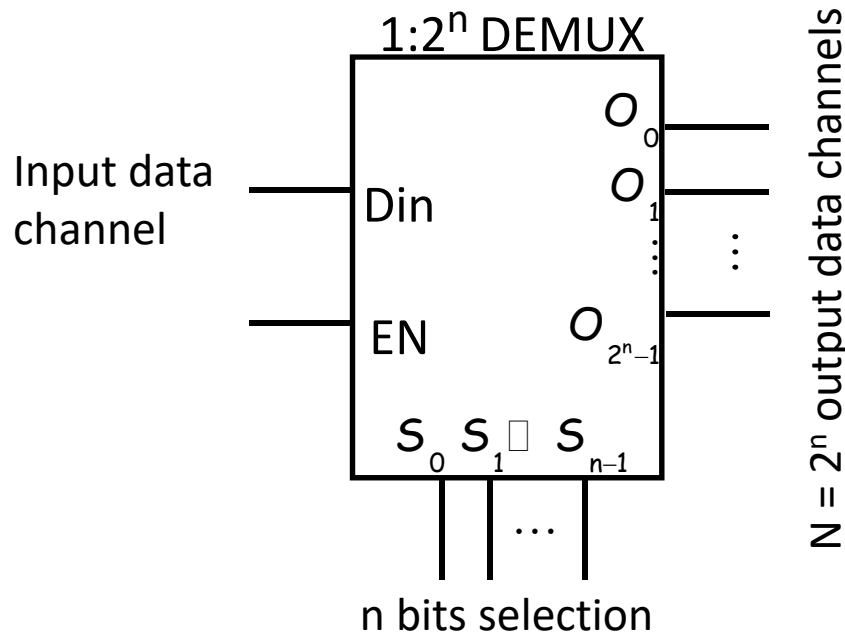
- Verify that the logic circuit is a 8:1 Mux



# Demultiplexers

- Functional inverse of a multiplexer
  - An inverse digital switch: a single input is “routed” to one out of  $N$  outputs

$$O_k = EN \cdot D_{in} m_k(S), \quad k = 0, \dots, 2^n - 1$$

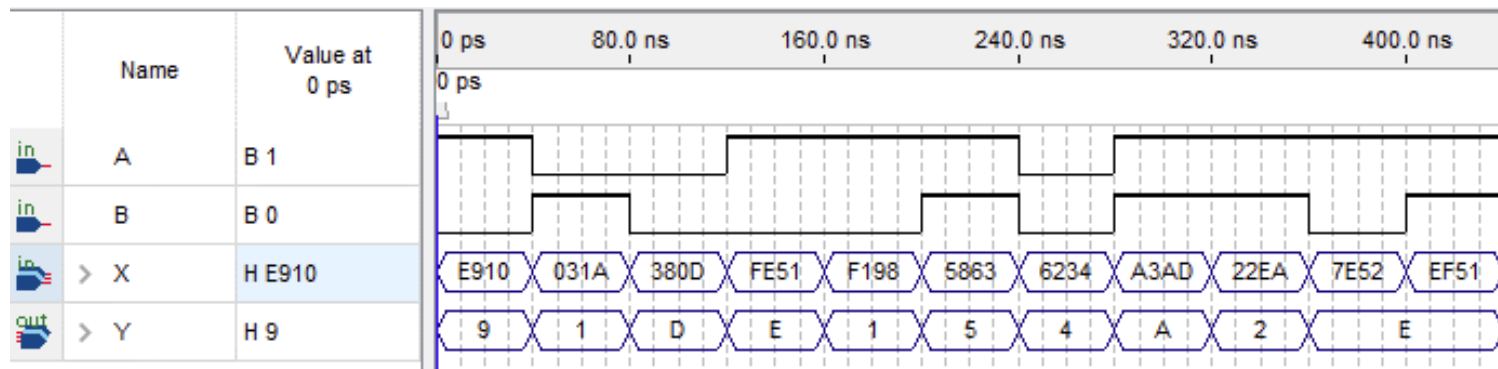
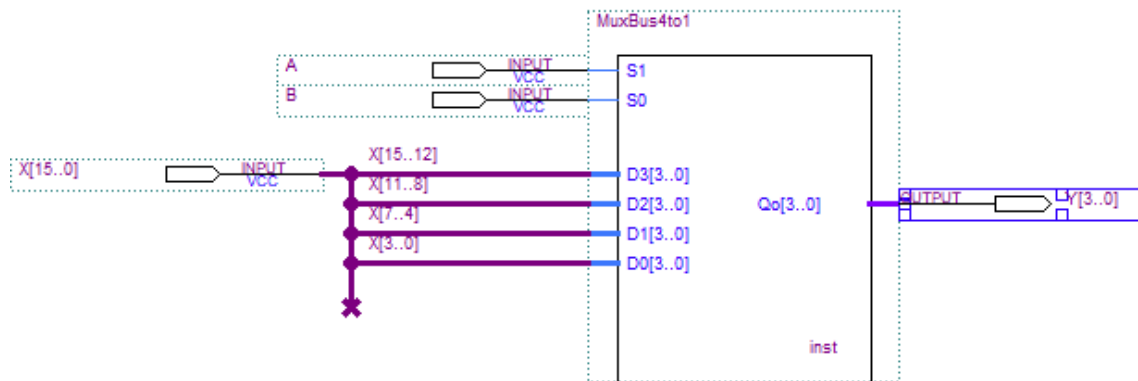


Question: How can we use a demux as a decoder?



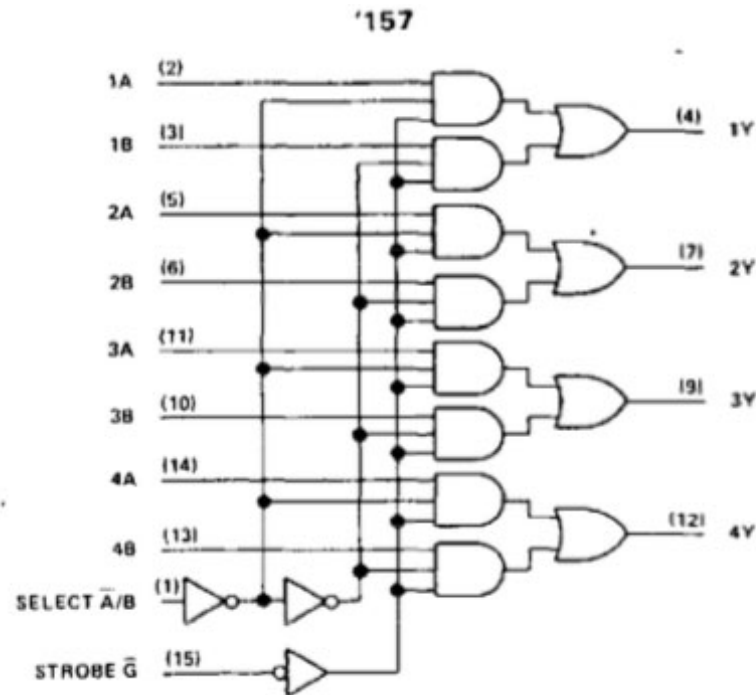
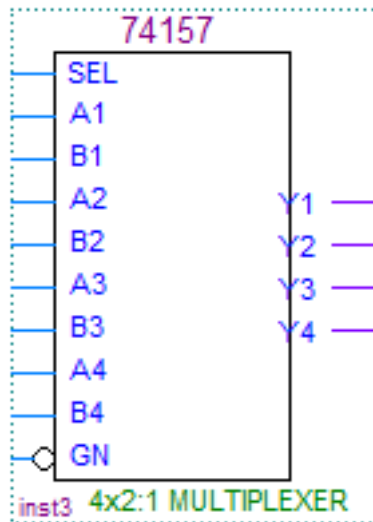
# Multiplexing multibit data channels

- Mux 4:1, 4 bit input data channels
- Explain the timing diagram



# The 74157 model

- 74157: 4x2:1



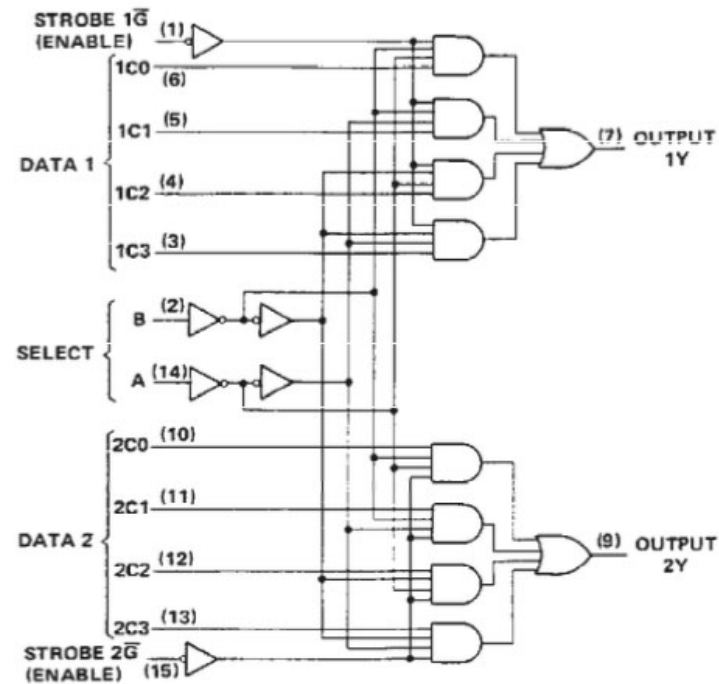
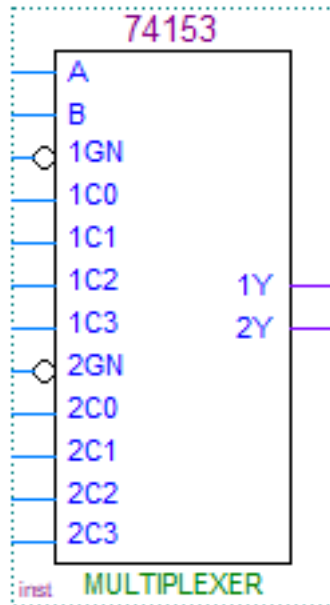
FUNCTION TABLE

INPUTS				OUTPUT Y	
STROBE $\bar{G}$	SELECT $\bar{A}/B$	A	B	'157, 'LS157, 'S157	'LS158 'S158
H	X	X	X	L	H
L	L	L	X	L	H
L	L	H	X	H	L
L	H	X	L	L	H
L	H	X	H	H	L

H = high level, L = low level, X = irrelevant

# The 74153 model

- 74153: 2x4:1



FUNCTION TABLE

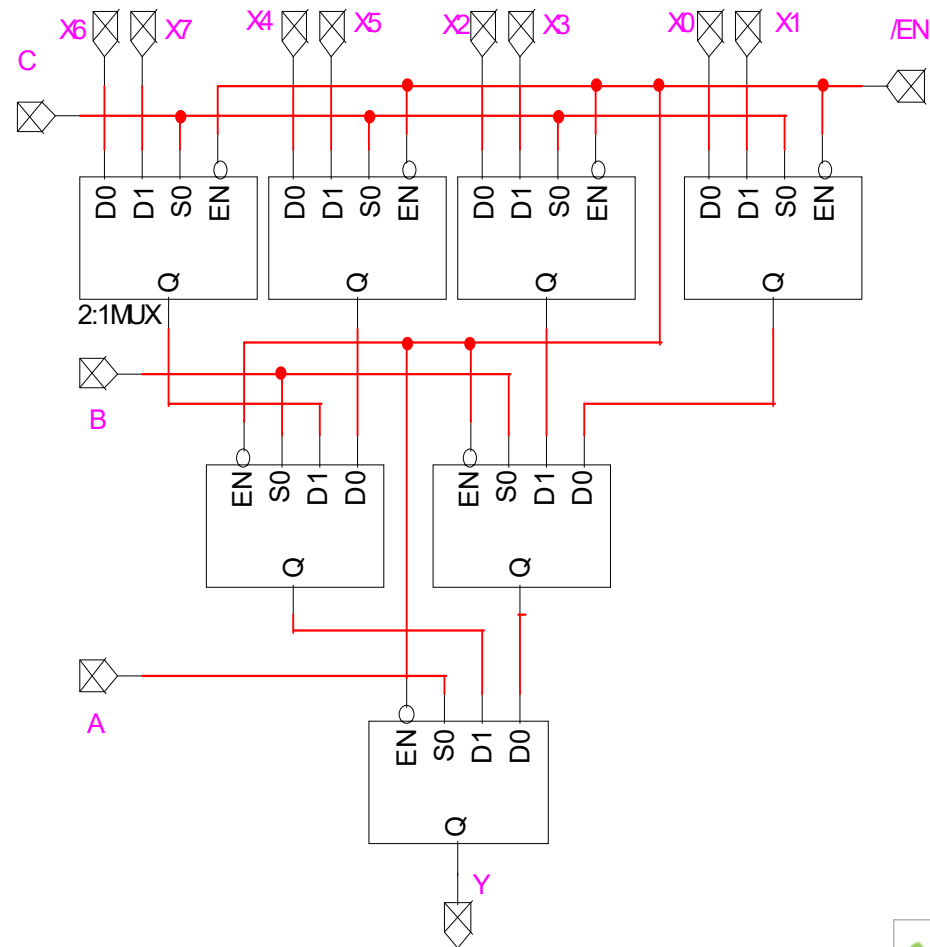
SELECT INPUTS		DATA INPUTS				STROBE	OUTPUT
B	A	C0	C1	C2	C3	$\bar{G}$	Y
X	X	X	X	X	X	H	L
L	L	L	X	X	X	L	L
L	L	H	X	X	X	L	H
L	H	X	L	X	X	L	L
L	H	X	H	X	X	L	H
H	L	X	X	L	X	L	L
H	L	X	X	H	X	L	H
H	H	X	X	X	L	L	L
H	H	X	X	X	H	L	H

Select inputs A and B are common to both sections.  
H = high level, L = low level, X = irrelevant

# Mux hierarchies

- 8:1 with 7x(2:1)

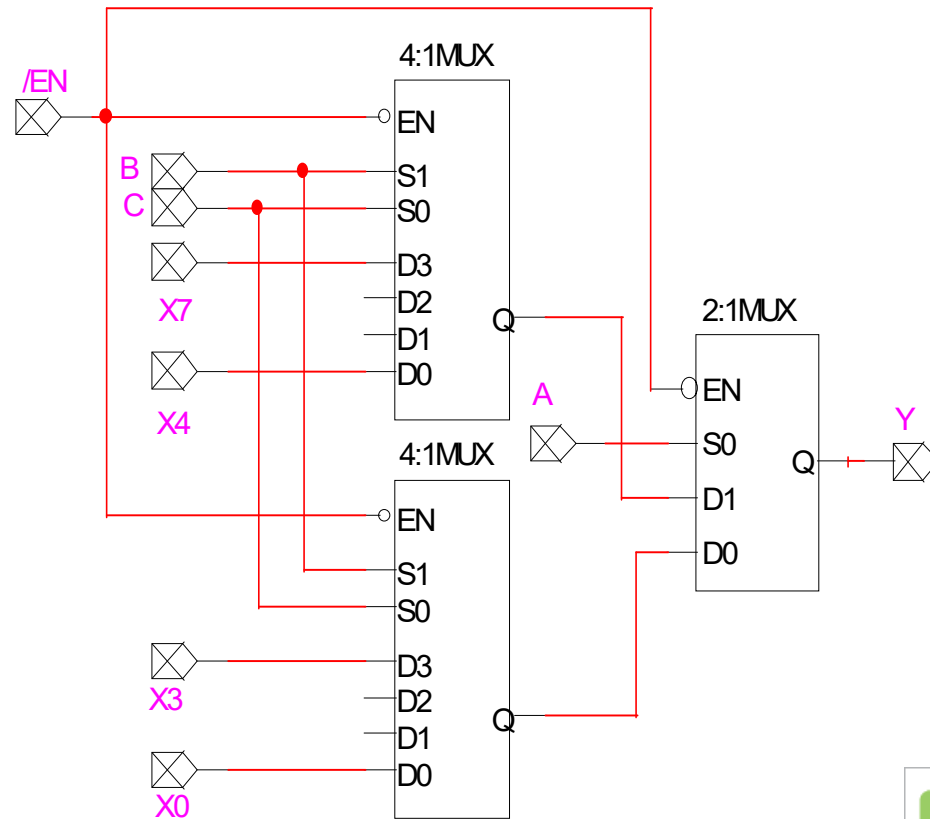
- Always check the design by obtaining the truth table.
- Note that IN THIS case A is the most significant selection variable



# Mux hierarchies

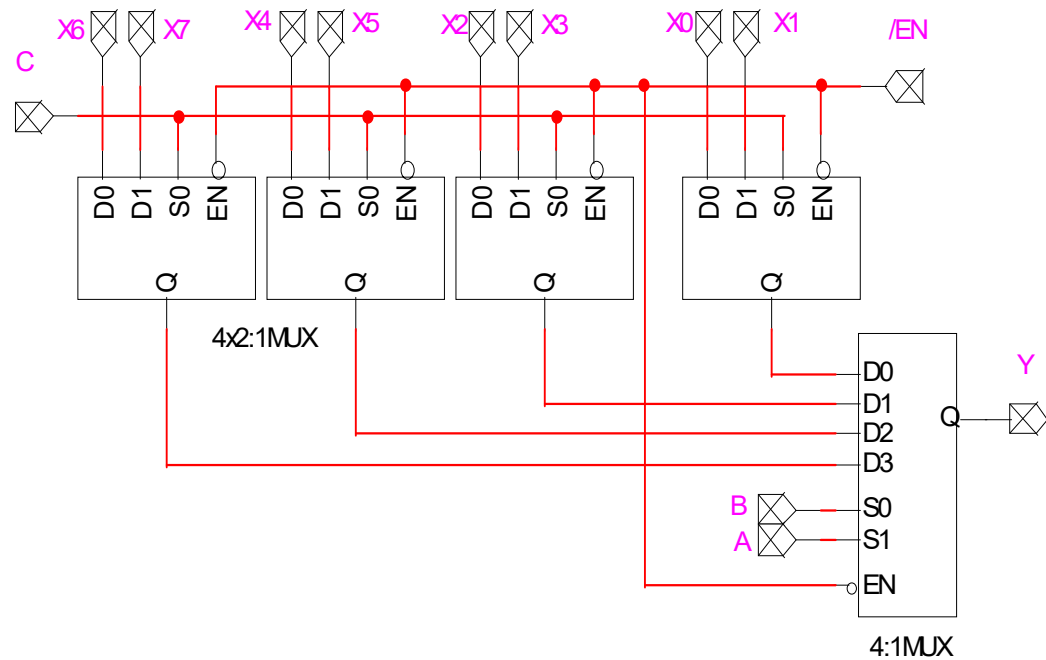
- 8:1 with 2x(4:1 MUX) + 1x(2:1 MUX)

- Always check the design by obtaining the truth table.
- Note that IN THIS case A is the most significant selection variable



# Mux hierarchies

- 8:1 with 4x(2:1 MUX) + 1x(4:1 MUX)

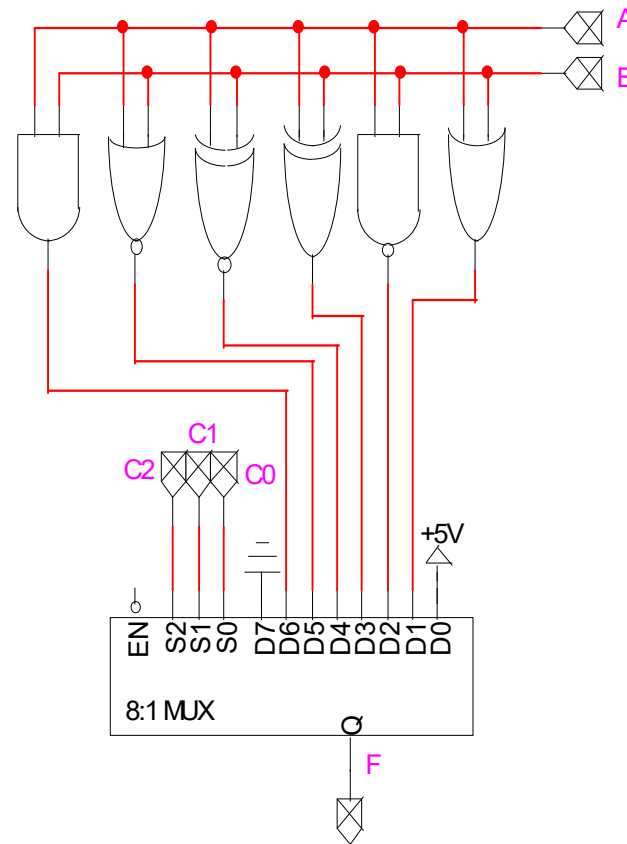


- Always check the design by obtaining the truth table.
- Note that IN THIS case A is the most significant selection variable

# Logic Function Unit (LFU)

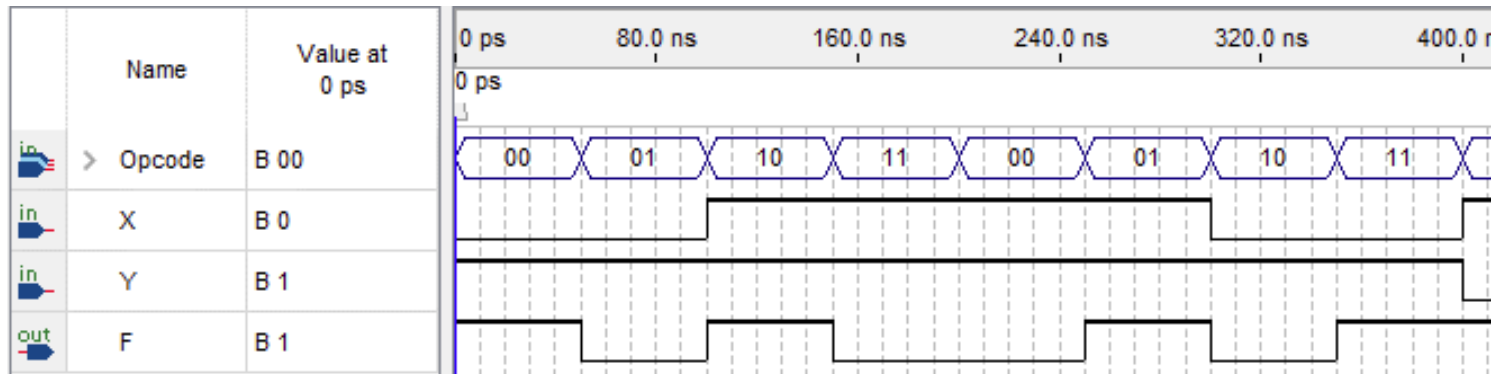
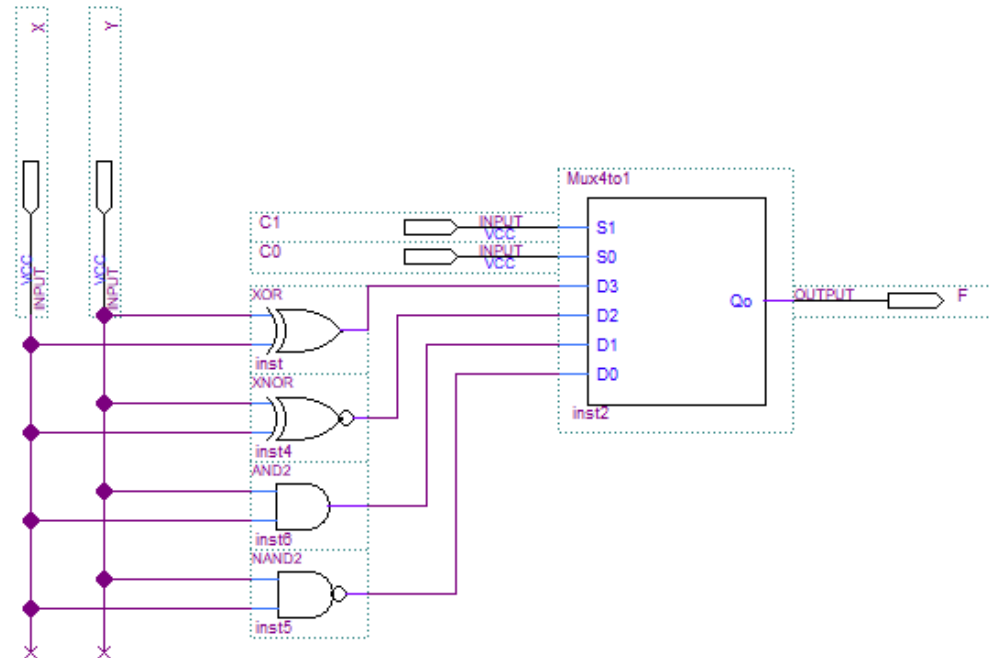
- Use  $C_2C_1C_0$  as function code (Opcode)

$C_2$	$C_1$	$C_0$	F
0	0	0	1
0	0	1	$A+B$
0	1	0	$(A.B)'$
0	1	1	$A\oplus B$
1	0	0	$(A\oplus B)'$
1	0	1	$(A+B)'$
1	1	0	$A.B$
1	1	1	0



# Exercise

- Explain the LFU timing diagram

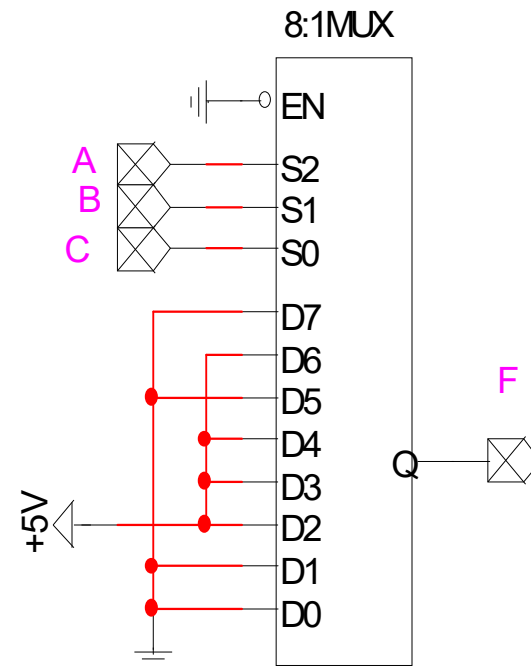




# Boolean Functions with Multiplexers

- Simplest approach:
  - Direct mapping of the Truth Table
    - Selection = input variables
    - $D_k = F_k$

A	B	C	F
0	0	0	0
0	0	1	0
0	1	0	1
0	1	1	1
1	0	0	1
1	0	1	0
1	1	0	1
1	1	1	0



# Boolean Functions with Multiplexers

- The general case:
  - Selection = a subset of input variables
  - $D_k = g_k$  where each  $g_k$  is a simpler Boolean function of the remaining input variables
- Example

n-1 input variables used for selection

I1 I2 ..			In	F			
...	..	..	0	0	0	1	1
...	...	..	1	0	1	0	1
				0	$I_n$	$\bar{I}_n$	1

Possible output values as a function of  $I_n$

# Example

- Implement the Boolean function  $F(A,B,C,D)$  using a 8:1 Mux

$$F(A,B,C,D) = \sum m(1,3,6,7,8,11,12,14)$$

AB \ CD		A			
		00	01	11	10
C	00	0	0	1	1
	01	1	0	0	0
	11	1	1	0	1
	10	0	1	1	0

B

D

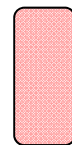
1. Use the Karnaugh map JUST to layout the truth table

2. Choose the subset of inputs to be assigned to the mux selection inputs

Eg. A,B,C

3. Find the logic values of the mux data inputs as functions of the remaining inputs

D in this case



Regions of the truth sharing the same value of the selection inputs. (A,B,C) in this case. DO NOT MISINTERPRET as prime implicants

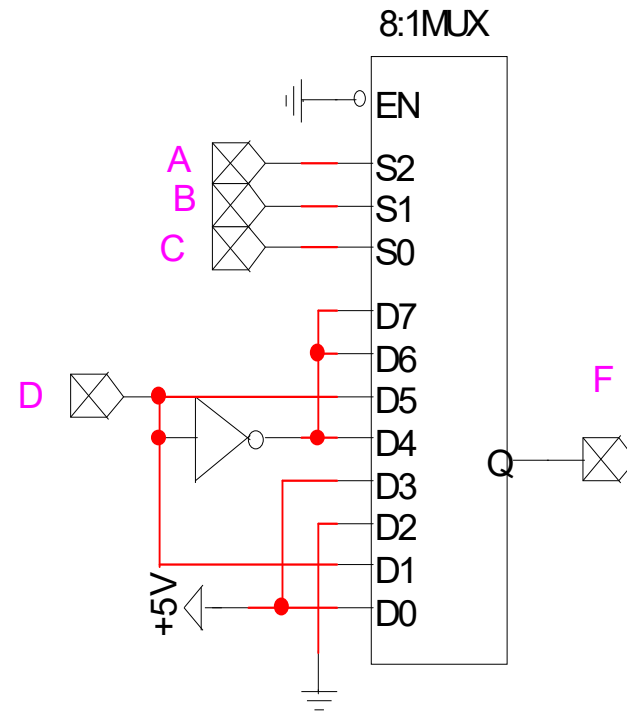
# Example

- Find the error in the logic circuit

$$F(A,B,C,D) = \sum m(1,3,6,7,8,11,12,14)$$

AB \ CD		A			
		00	01	11	10
C	00	0	0	1	1
	01	1	0	0	0
	11	1	1	0	1
	10	0	1	1	0

B



# Exercise

- Implement the Boolean function  $F$  using a a MUX 4:1 and additional elementary logic

$$F(A,B,C,D) = \sum m(1,3,6,7,8,11,12,14)$$

- Several choices of input variables are possible to be assigned to the mux selection inputs. Try for example (A,B) and (C,D)

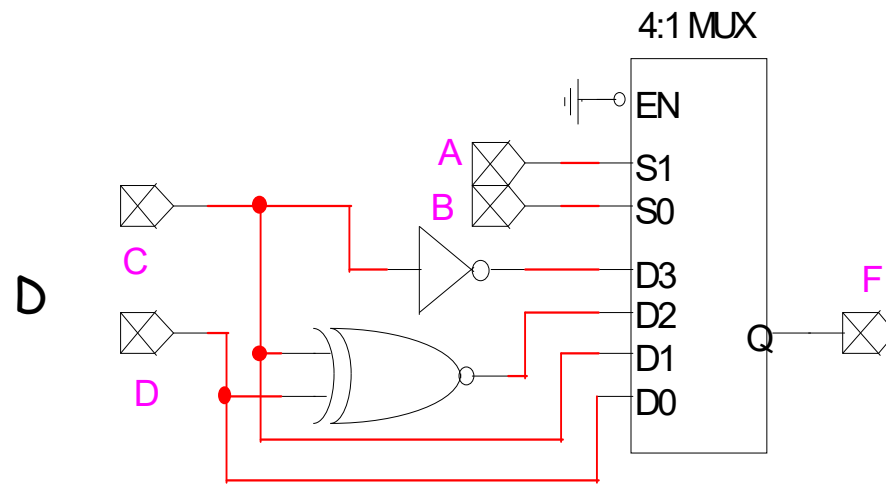
# Exercise

- Using A,B for selection

$$F(A,B,C,D) = \sum m(1,3,6,7,8,11,12,14)$$

AB \ CD		A			
		00	01	11	10
C	00	0	0	1	1
	01	1	0	1	0
	11	1	1	0	1
	10	0	1	0	0

B

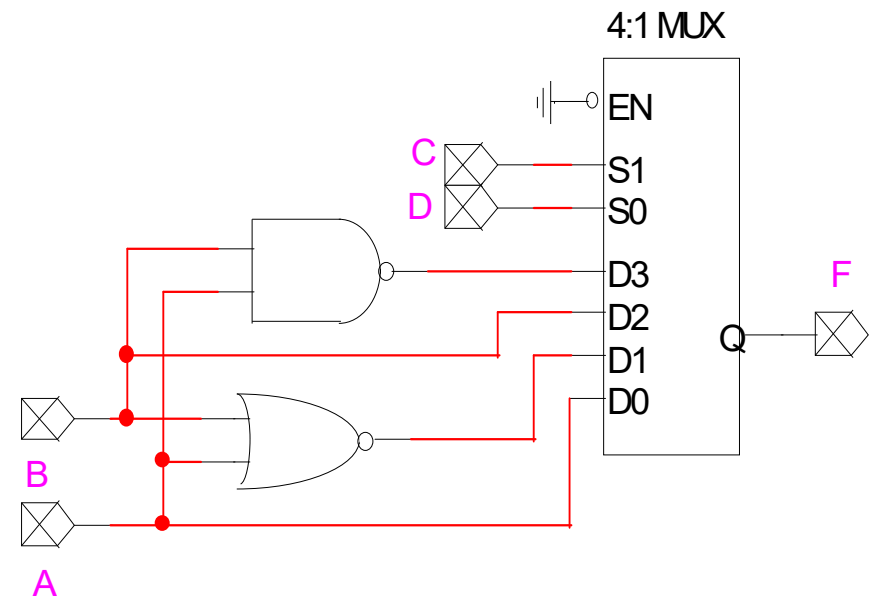


# Exercise

- Using C,D for selection

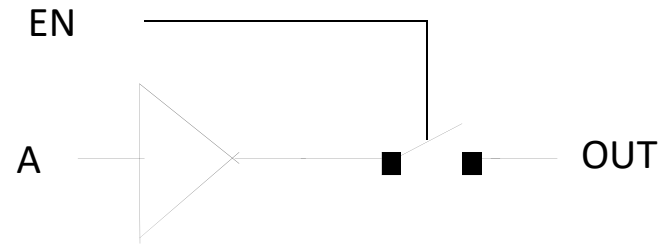
$$F(A,B,C,D) = \sum m(1,3,6,7,8,11,12,14)$$

AB		A			
		00	01	11	10
C	00	0	0	1	1
	01	1	0	0	0
	11	1	1	0	1
	10	0	1	1	0
		B		D	



# High-Impedance (High – Z)

- A switch model

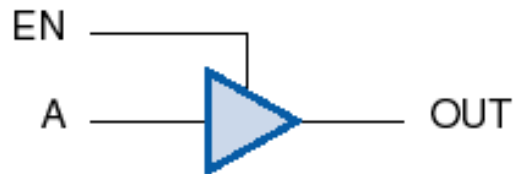


- When the switch is open there is an almost infinite resistance (Impedance) to the signal flow through the “wire” OUT.
- The output signal is left “floating” with neither HIGH or LOW logic levels assigned.
- The output is assigned a High-Z state and the device exhibits a 3 State behavior



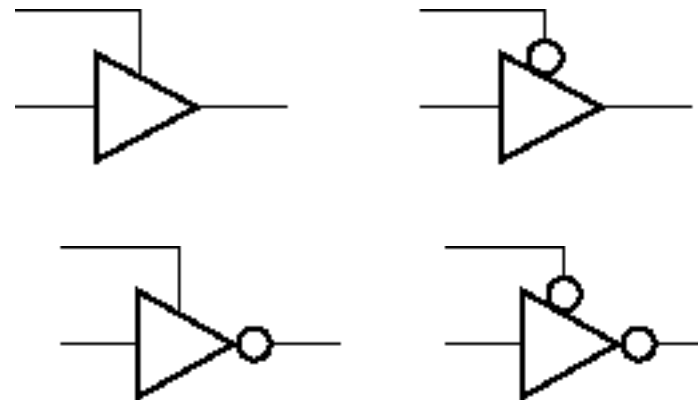
# 3 State Buffers

- Possible outputs: HIGH, LOW, High-Z



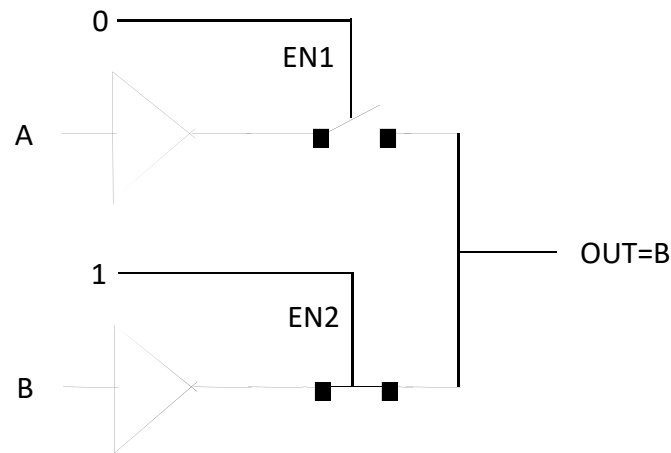
EN	A	OUT
L	L	Hi-Z
L	H	Hi-Z
H	L	L
H	H	H

Alternatives



# Wire sharing

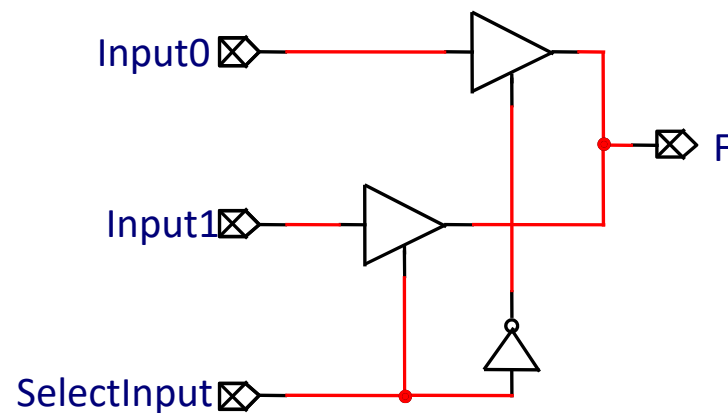
- High-Z outputs may be physically connected



- Of course  $EN1 = EN2 = 1$  should never occur.
- Tight control of enabling inputs is required

# A special kind of Mux

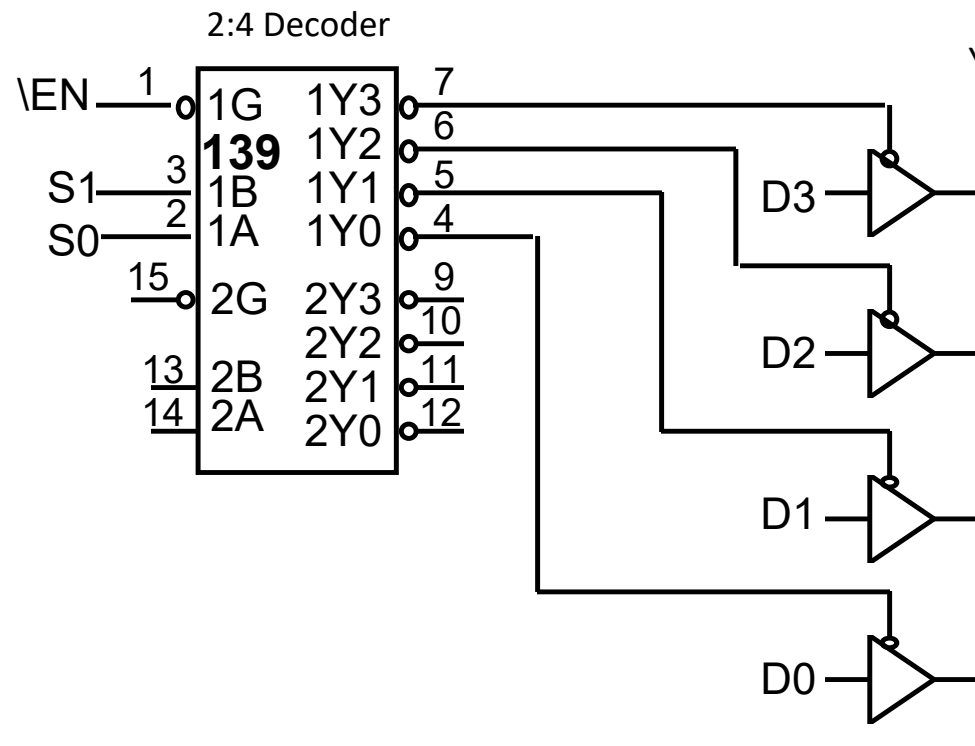
- Efficient multiplexing strategy
- Mux 2:1



- Write the Truth Table

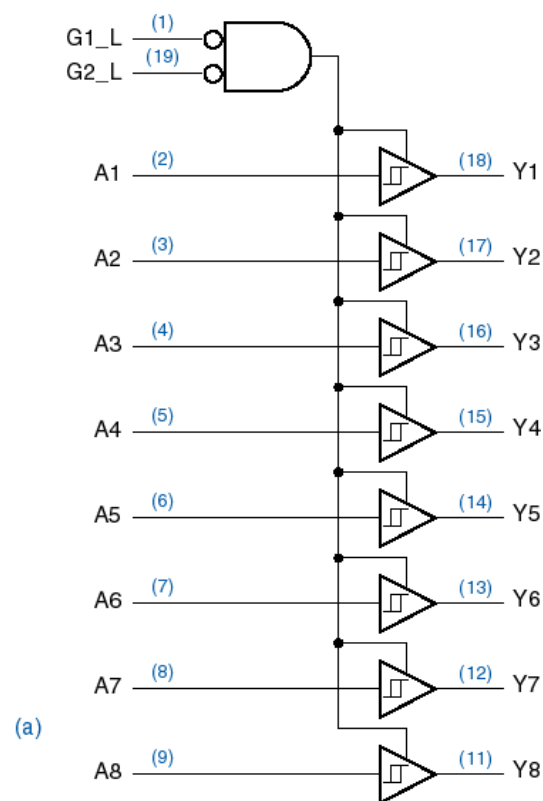
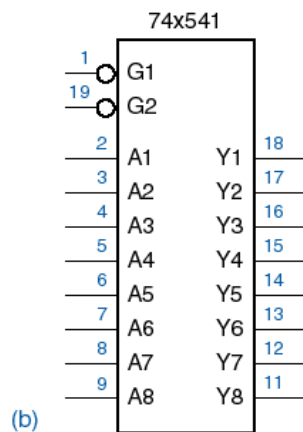
# Exercise

- Write the truth table of the circuit and verify that's a 4:1 mux

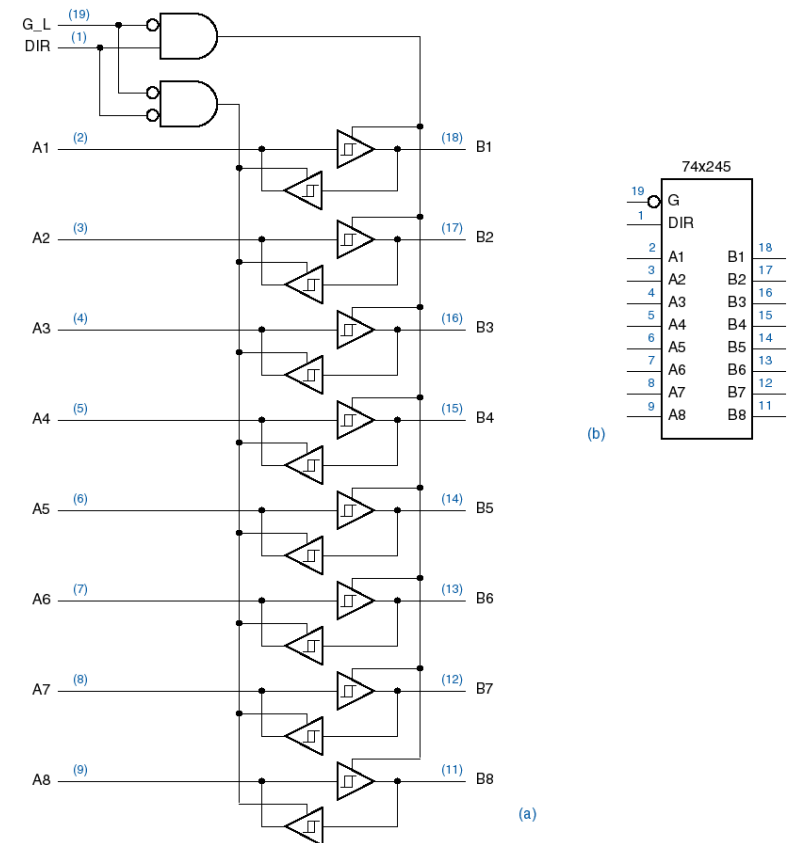


# Aggregate 3 State Buffer Models

## "BUS" Driver



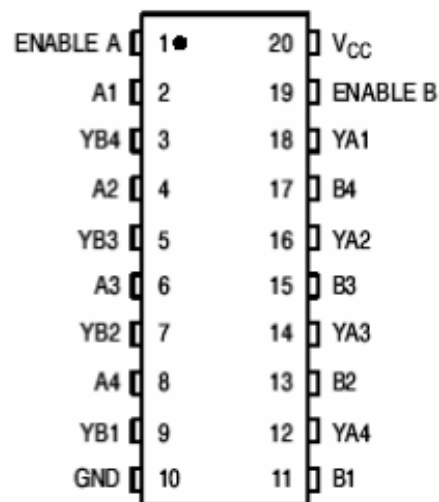
## Transceiver



# Aggregate 3 State Buffer Models

## 74HC244

### PIN ASSIGNMENT

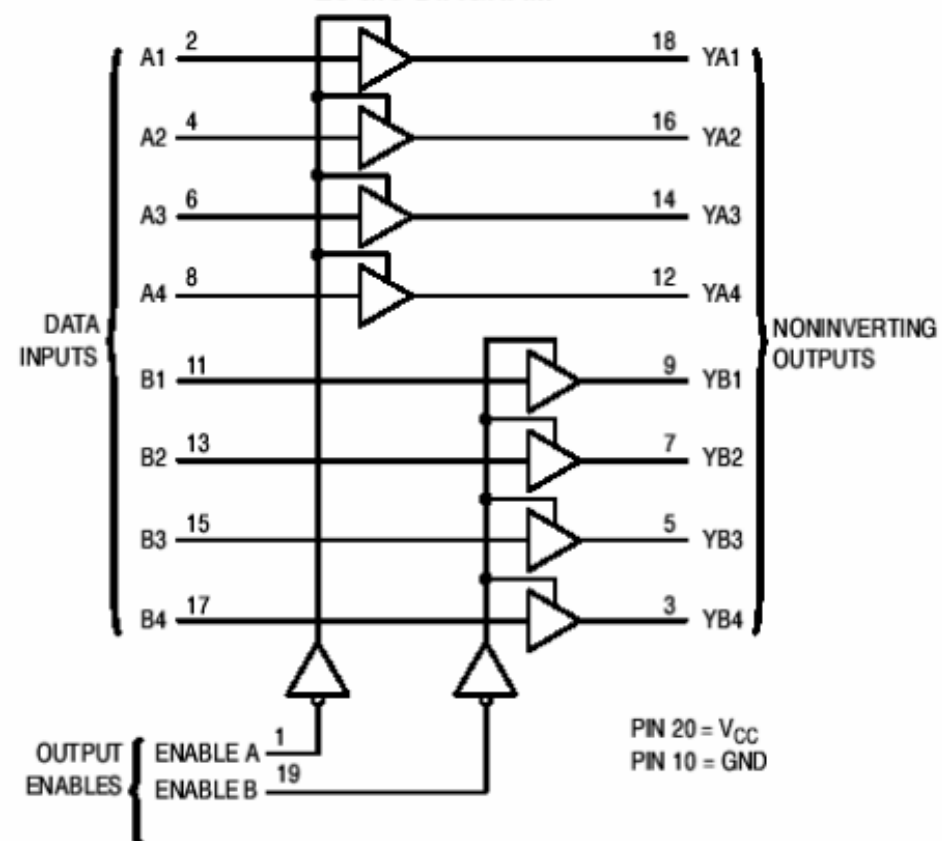


### FUNCTION TABLE

Inputs		Outputs
Enable A, Enable B	A, B	YA, YB
L	L	L
L	H	H
H	X	Z

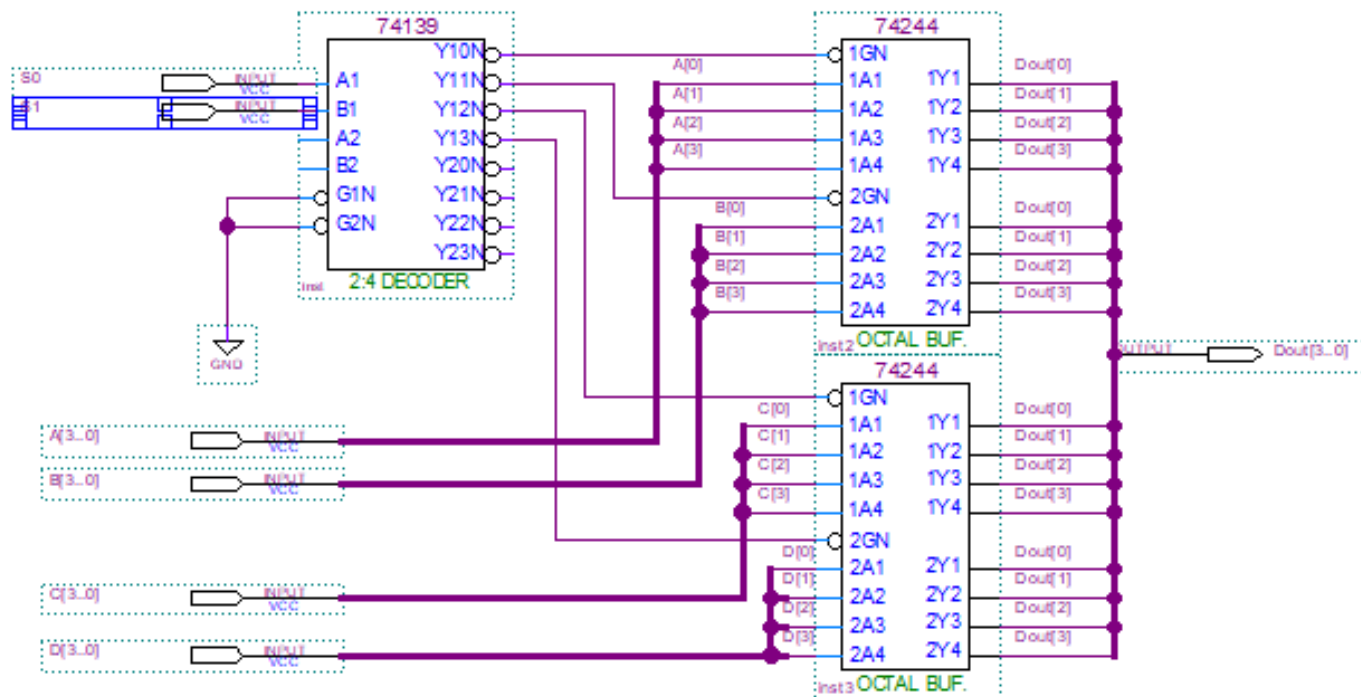
Z = high impedance

### LOGIC DIAGRAM



# Word Multiplexing

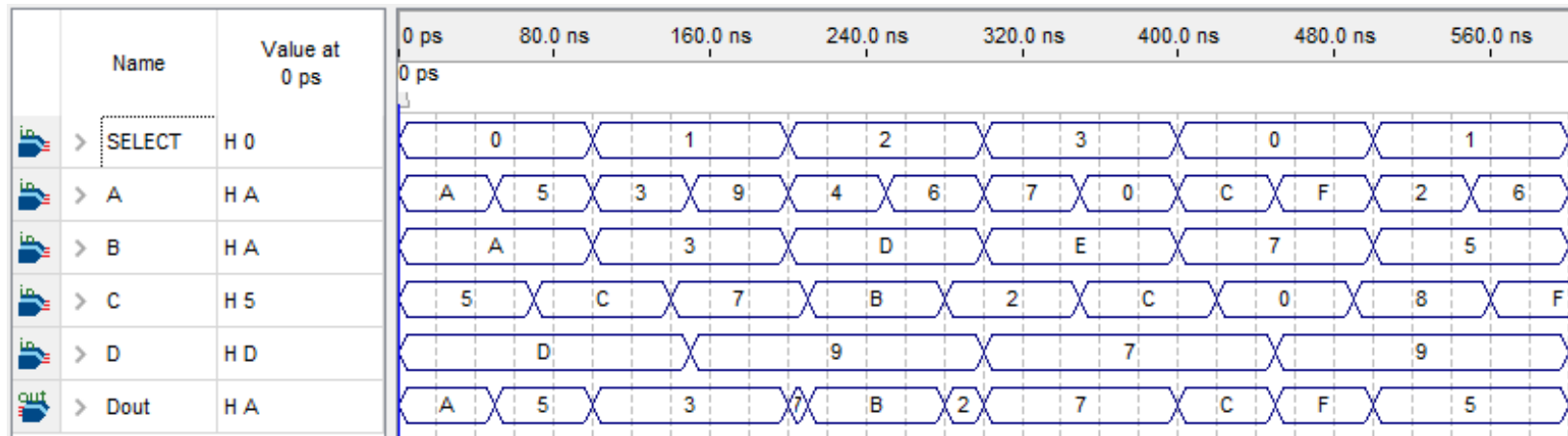
- Main idea:
  - Decode the 3 State buffers enabling inputs
  - Share the output data bus



# Exercise

- Explain the timing diagram of the previous circuit

- **SELECT = (S1,S0)**





# Final Remarks

- Always recall
  - The block symbol
  - The types of inputs and outputs
    - Data
    - Control
  - The truth table
  - The output equations
- Design with encapsulated logic requires mastering all the functional details of each block